

# SCAN 5004 FR/FL

## ACCESSORIES



**21053261 Scan 5004 FR complete** (glass in front and right side)

Consisting of:

- 30052589 Scan 5004 FR
- 50053075 Convection cover/heat shield Scan 5004 FR

**21053262 Scan 5004 FL complete** (glass in front and left side)

Consisting of:

- 30052590 Scan 5004 FL
- 50053076 Convection cover/heat shield Scan 5004 FL

Additional accessories:

- 50052633 Heat-accumulating stones Ø200 mm
- 50053075 Convection cover/heat shield Scan 5004 FR
- 50053076 Convection cover/heat shield Scan 5004 FL
- 50053077 Frame 1, 90 degrees bent, top/back (for 30052589)
- 50053078 Frame 2, 90 degrees bent, top/back/bottom (for 30052589)
- 50053079 Frame 1, 90 degrees bent, top/back (for 30052590)
- 50053080 Frame 2, 90 degrees bent, top/back/bottom (for 30052590)
- 50053083 Brace, top (incl. frame and wire) (for 30052589)
- 50053086 Brace, top (incl. frame and wire) (for 30052590)
- 50054935 Handling kit
- 50054151 Fresh air box for bottom (outside Ø145/150 mm - inside Ø135/130 mm)
- 50059023 Adjustable legs, 190 mm
- 51052597 Convection air grids (2 pcs.)

# SCAN 5004 FR/FL

## ACCESSORIES

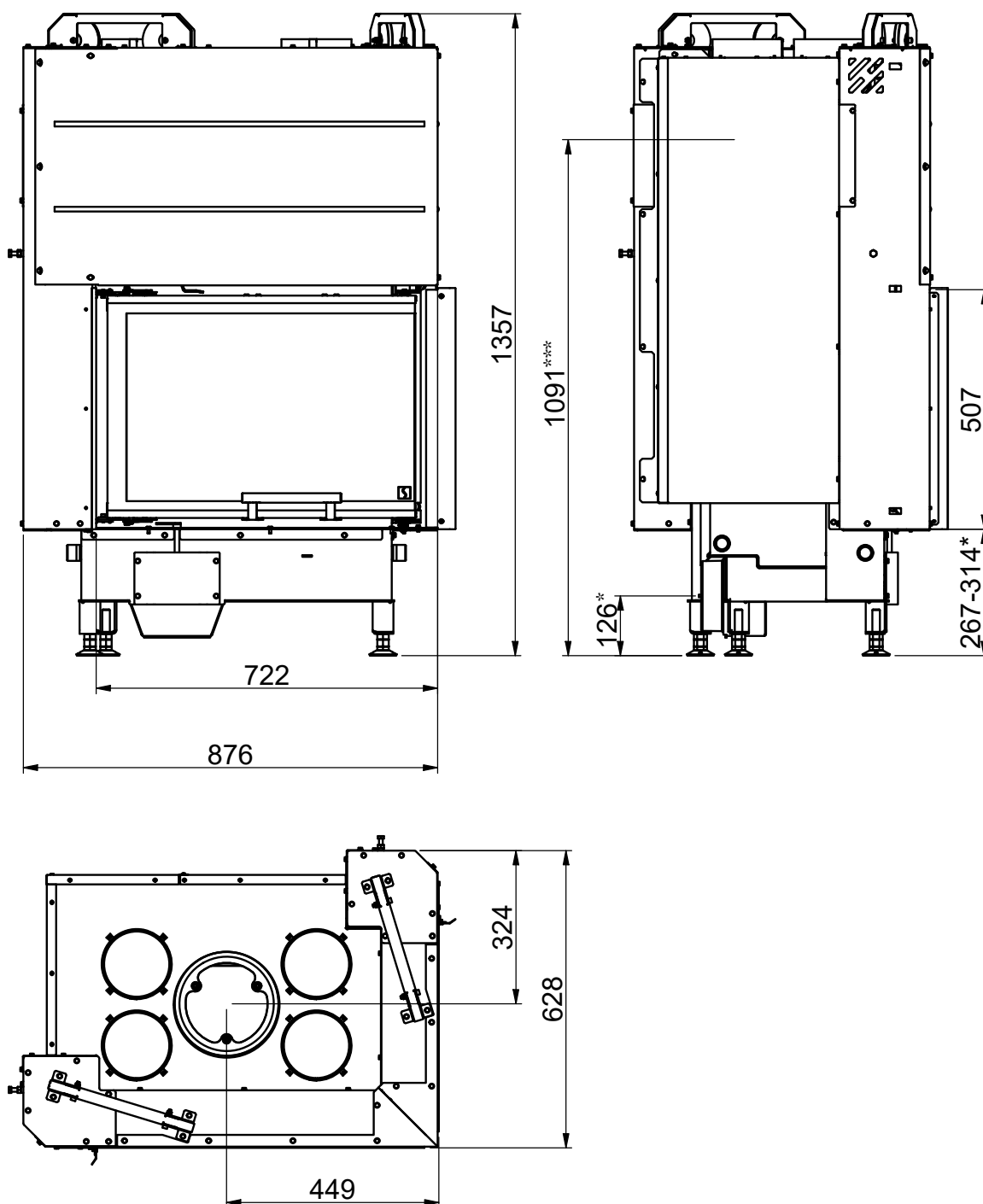


30052589

Scan 5004 FR

30052590

Scan 5004 FL



All distances are in mm.

\* Connection of fresh-air intake - inside measure:  $\varnothing 132$  mm - outside measure:  $\varnothing 149$  mm

\*\*\* Height to the beginning of flue connecting piece at top/rear outlet,  
flue conn. piece - inside measure:  $\varnothing 175$  mm - outside measure:  $\varnothing 200$  mm

# SCAN 5004 FR/FL

## ACCESSORIES



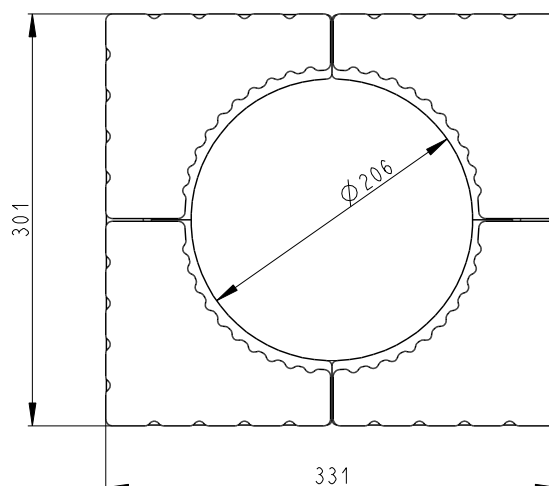
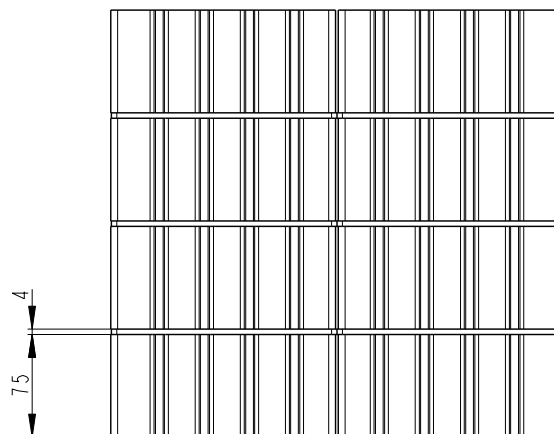
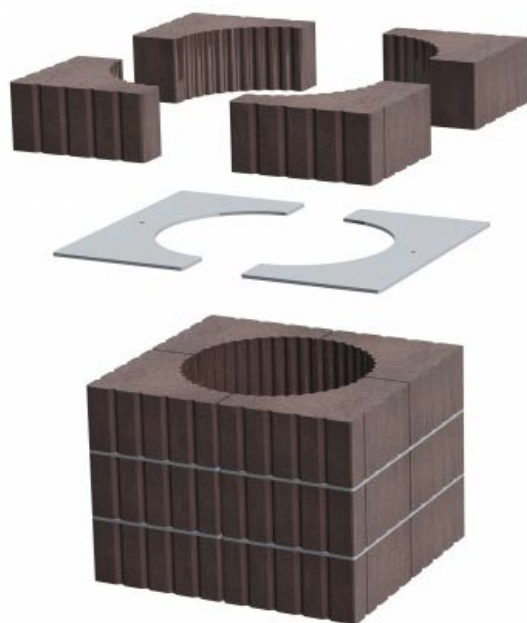
**50052633**

### Heat-accumulating stones Ø200 mm

Heat-storage stones are made from a special material with a high heat capacity. The stones are heated when the stove is on, re-releasing heat once it is off. This extends the time over which the stove remains warm.

**The stones can not be used with the heat shield/convection covers!**

70 kg



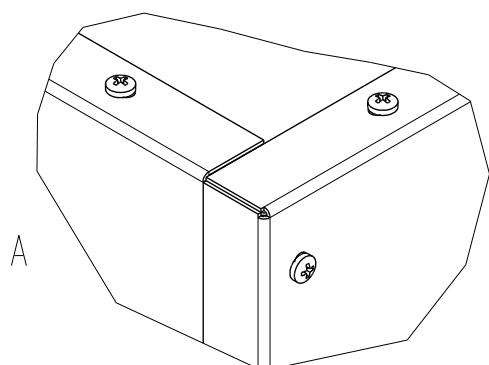
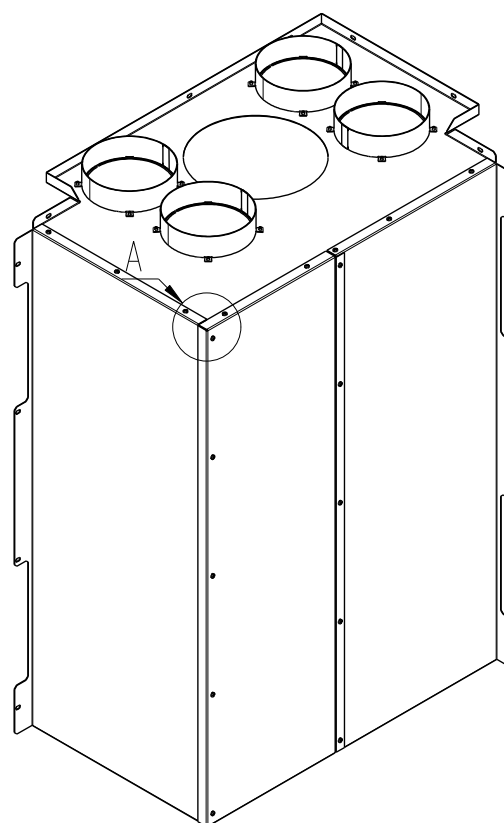
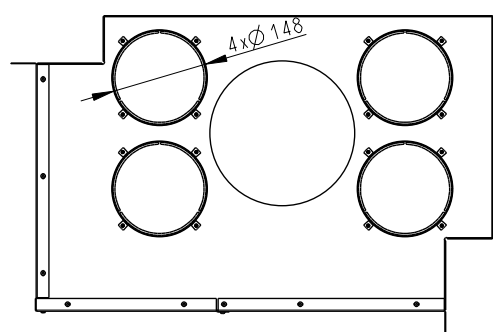
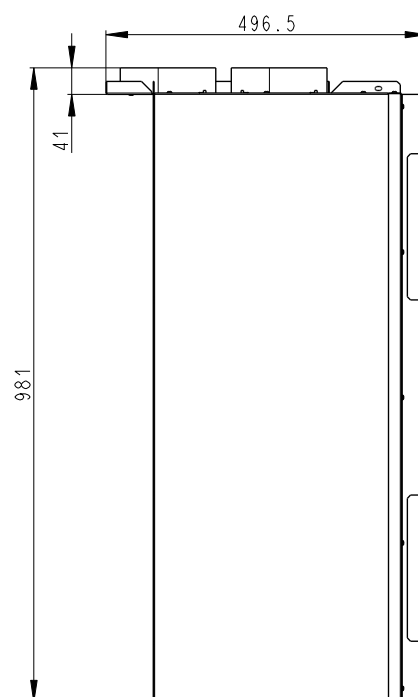
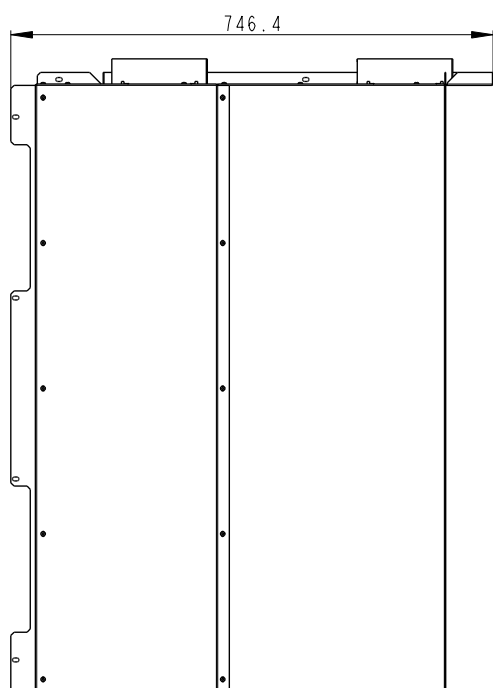
# SCAN 5004 FR/FL

## ACCESSORIES



50053075

Convection cover/heat shield Scan 5004 FR



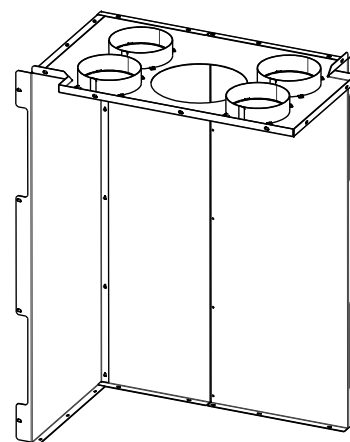
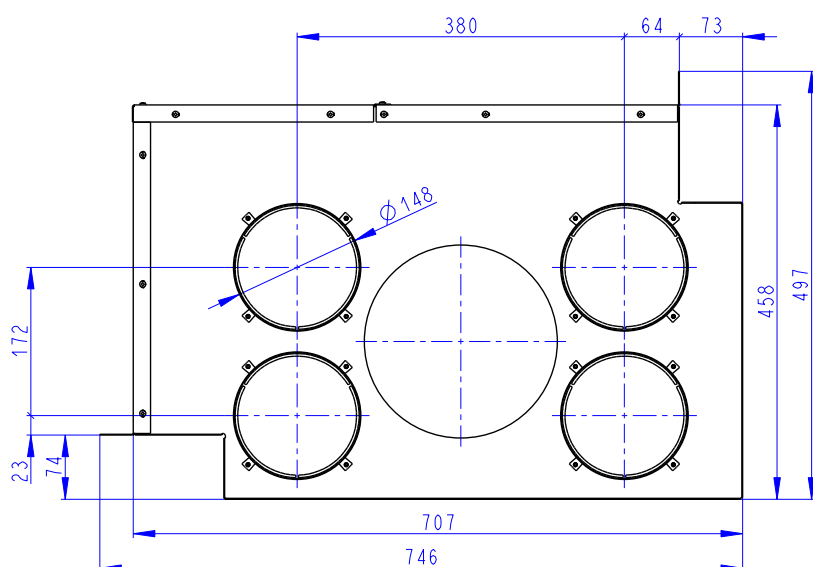
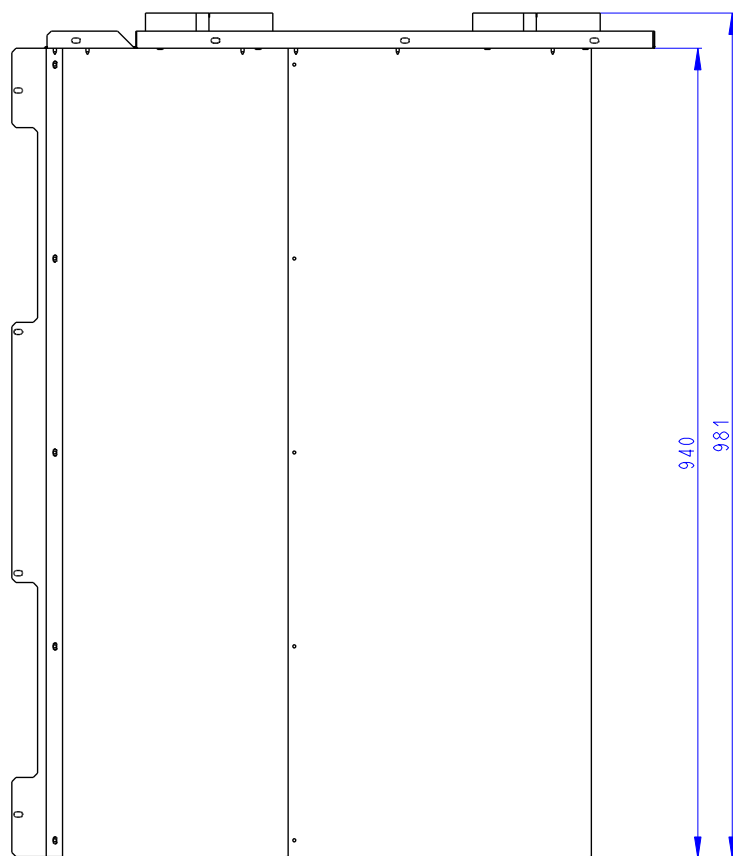
# SCAN 5004 FR/FL

## ACCESSORIES



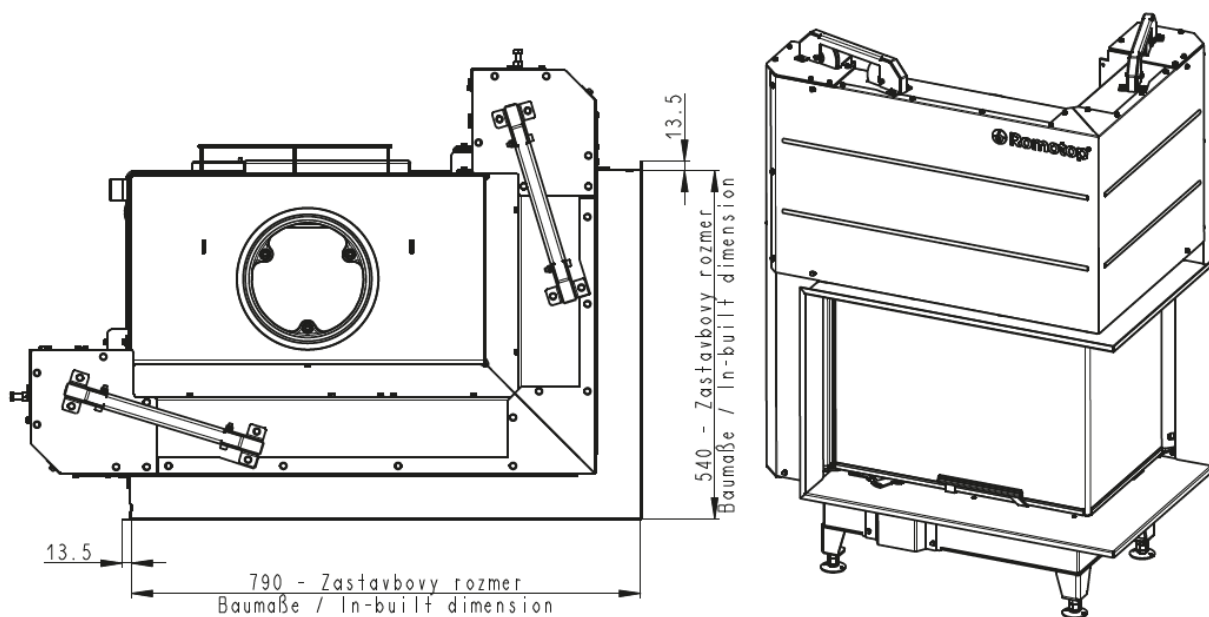
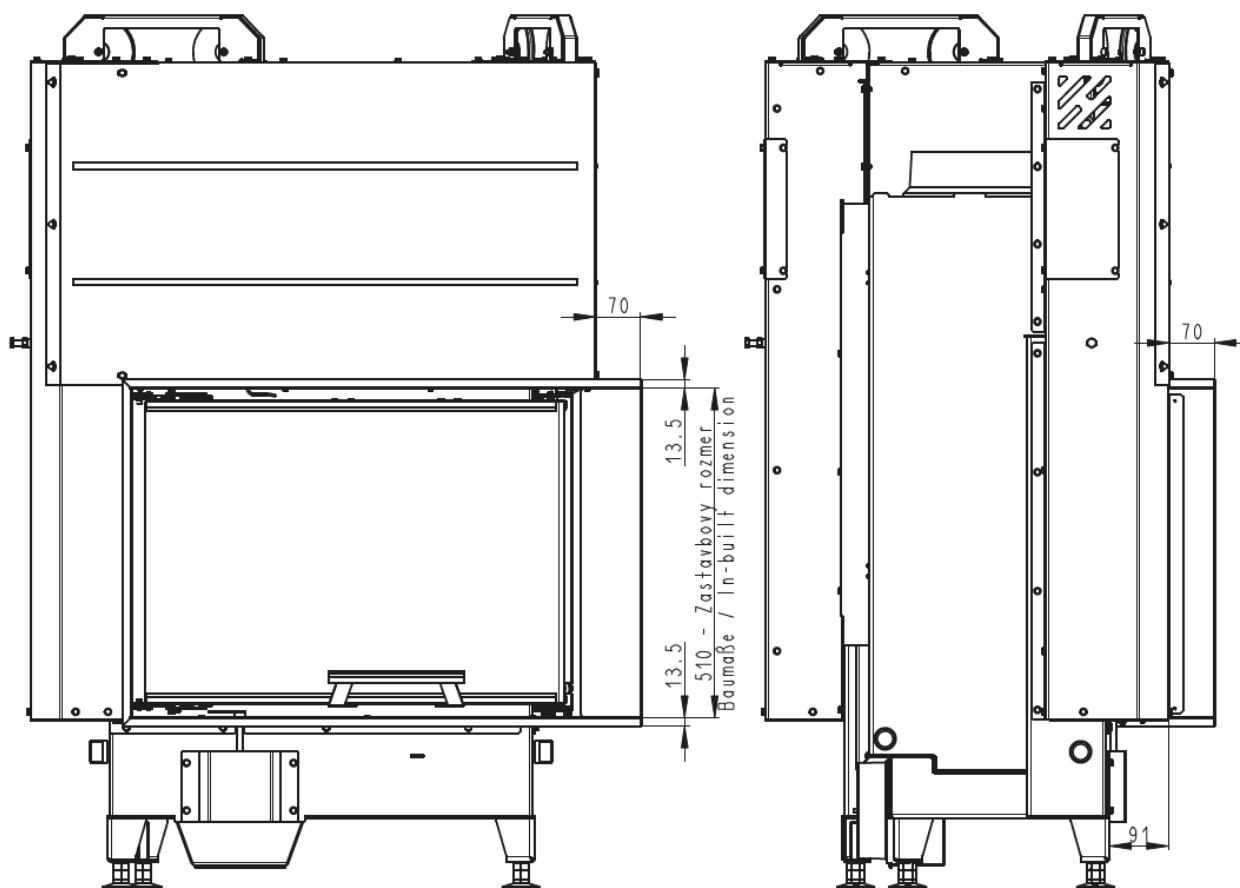
50053076

Convection cover/heat shield Scan 5004 FL



# SCAN 5004 FR/FL

## ACCESSORIES



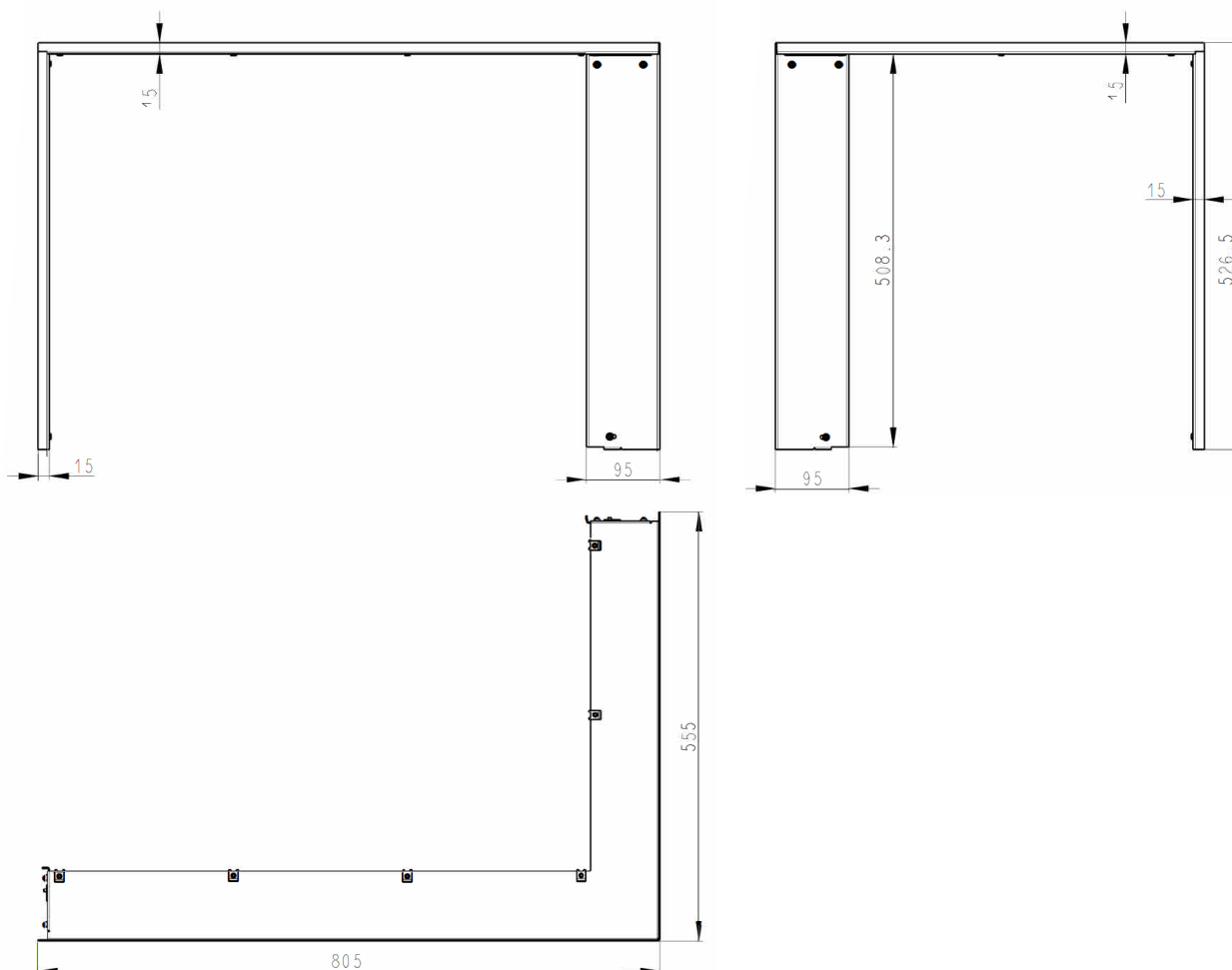
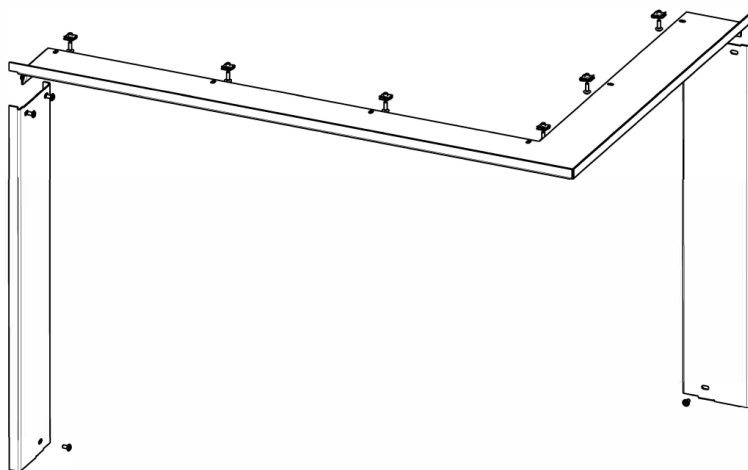
# SCAN 5004 FR/FL

## ACCESSORIES



**50053077**

**Frame 1, 90 degrees bent, top/back**  
(for 30052589)



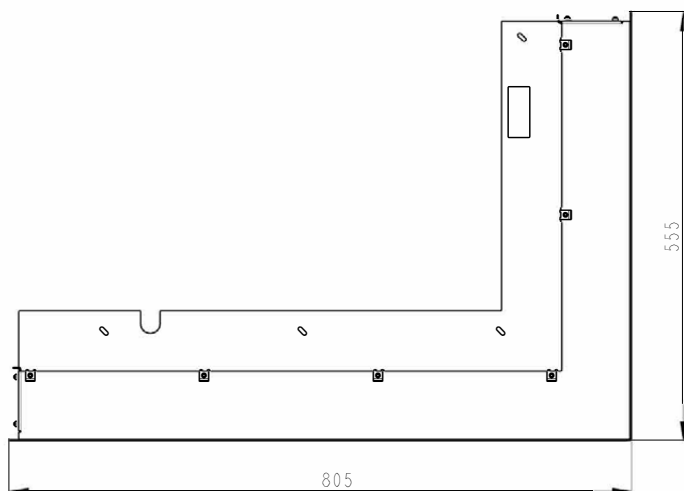
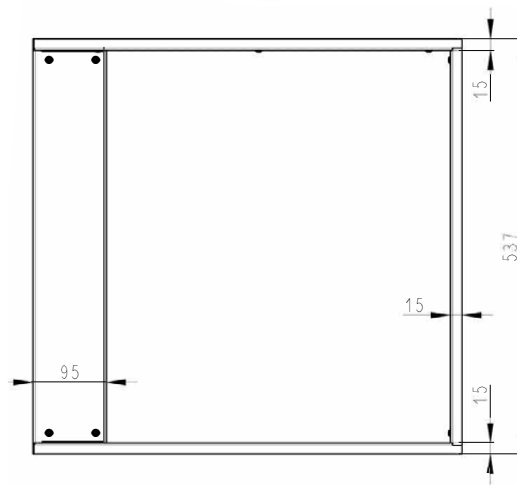
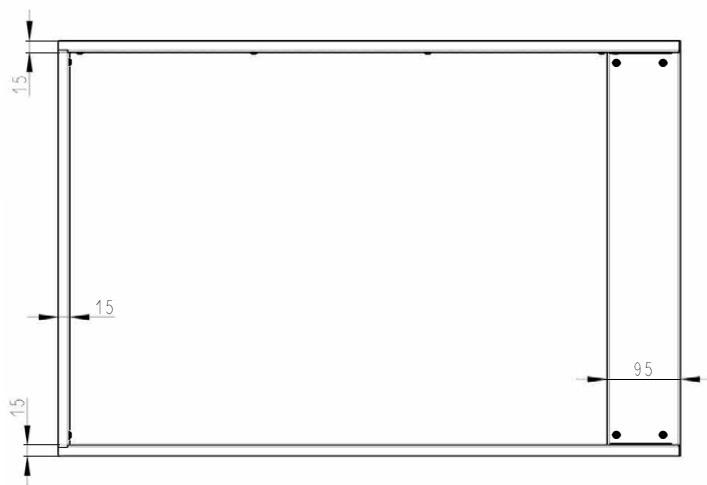
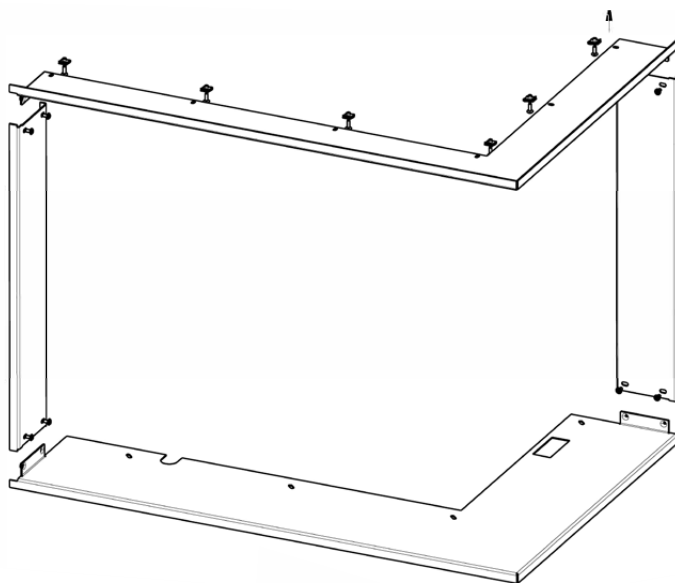
# SCAN 5004 FR/FL

## ACCESSORIES



50053078

Frame 2, 90 degrees bent, top/back/bottom  
(for 30052589)





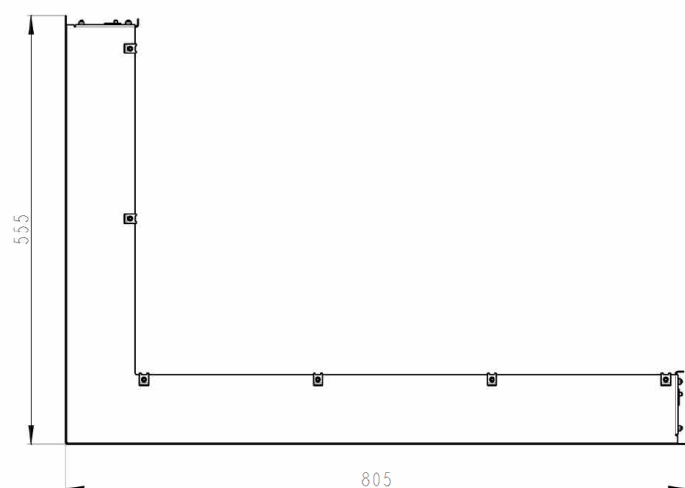
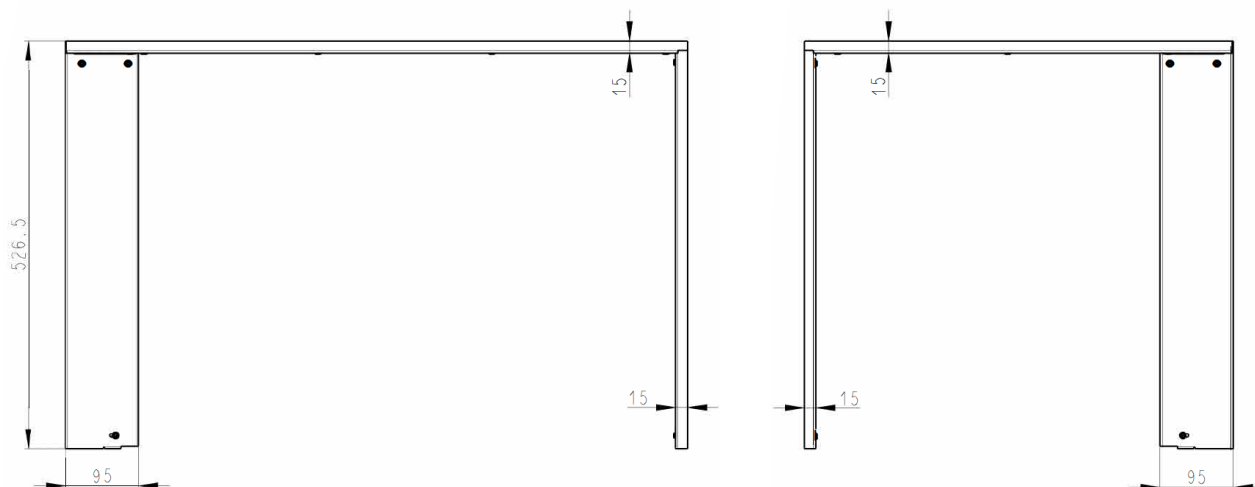
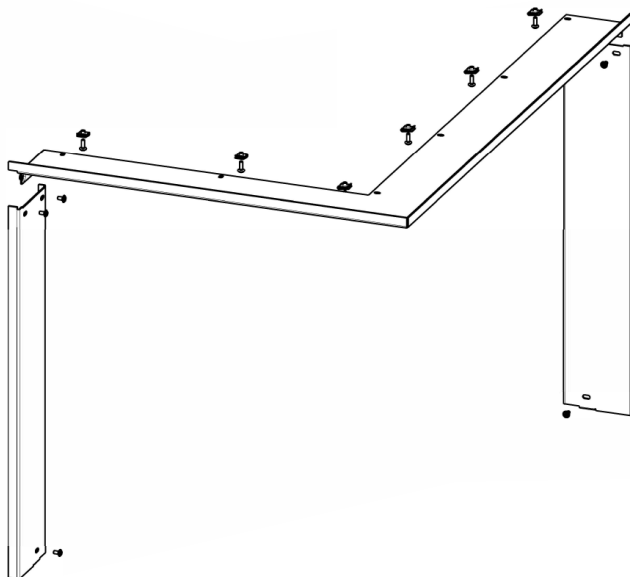
# SCAN 5004 FR/FL

## ACCESSORIES



**50053079**

**Frame 1, 90 degrees bent, top/back**  
(for 30052590)



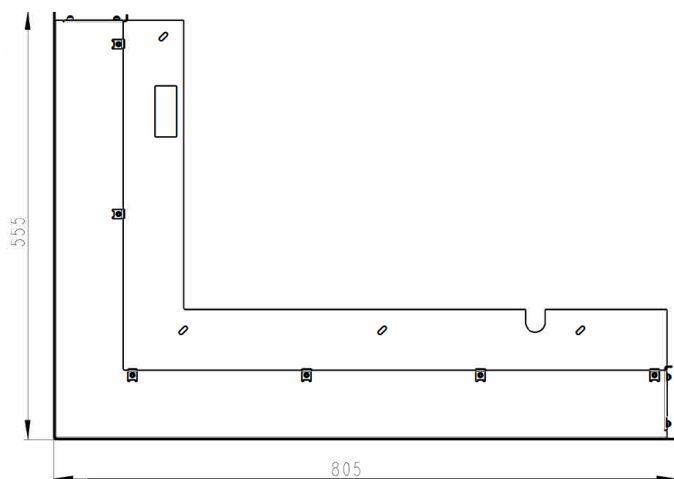
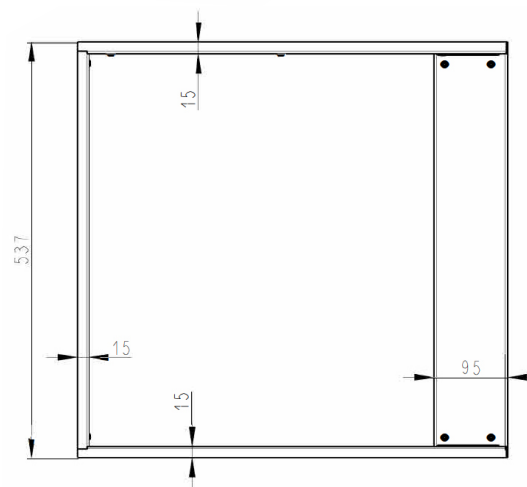
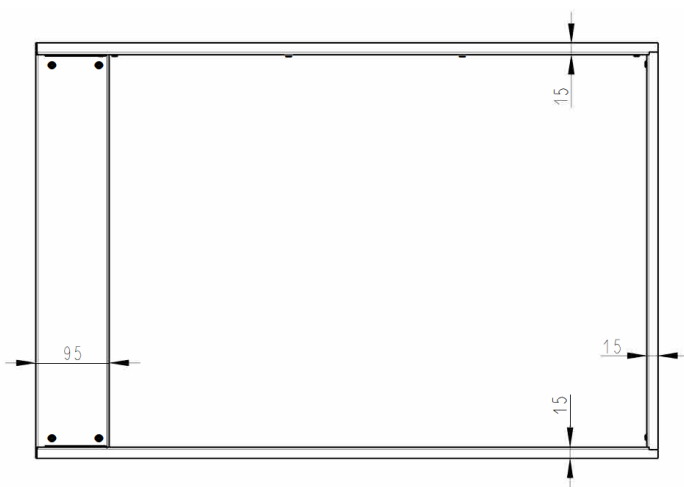
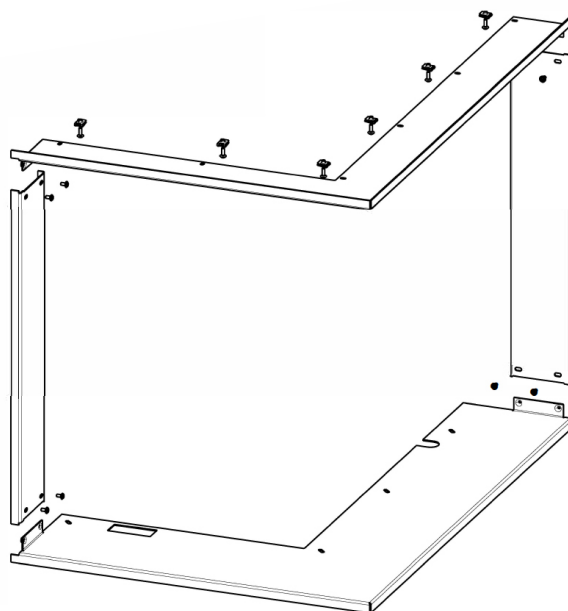
# SCAN 5004 FR/FL

## ACCESSORIES



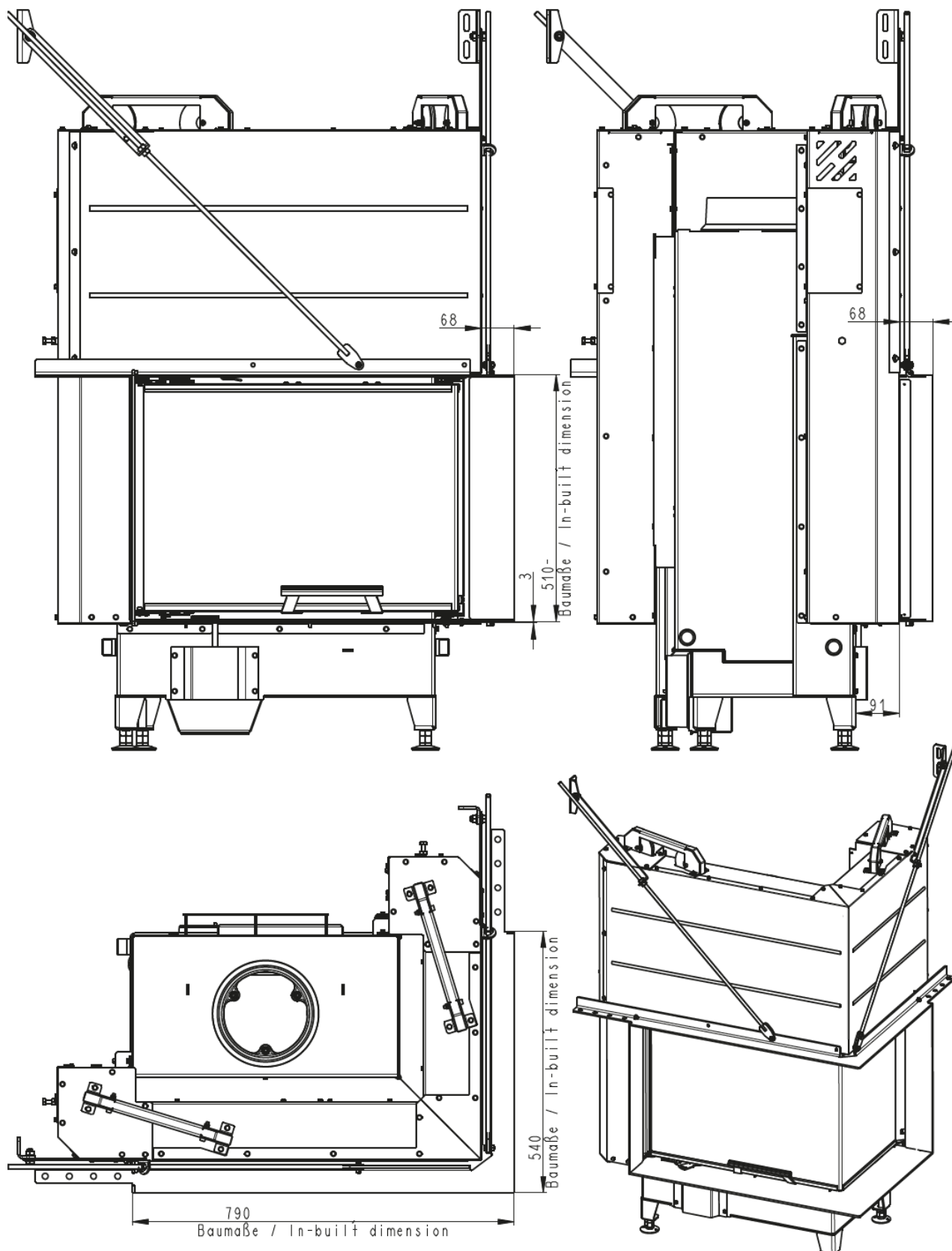
**50053080**

**Frame 2, 90 degrees bent, top/back/bottom**  
(for 30052590)



# SCAN 5004 FR/FL

## ACCESSORIES



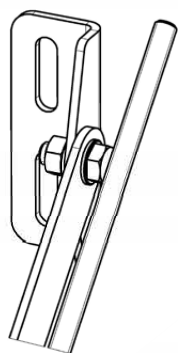
# SCAN 5004 FR/FL

## ACCESSORIES

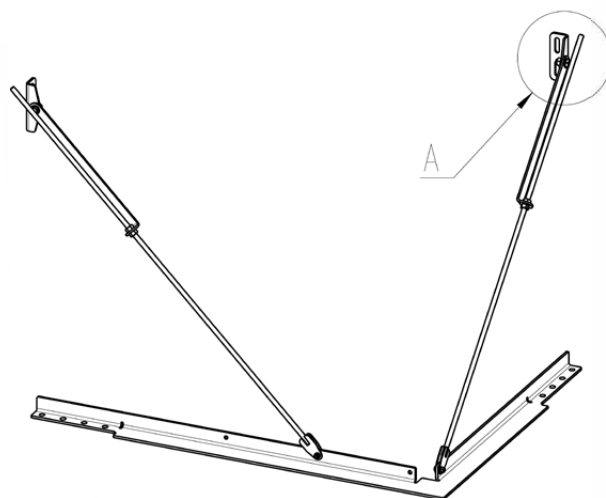


50053083

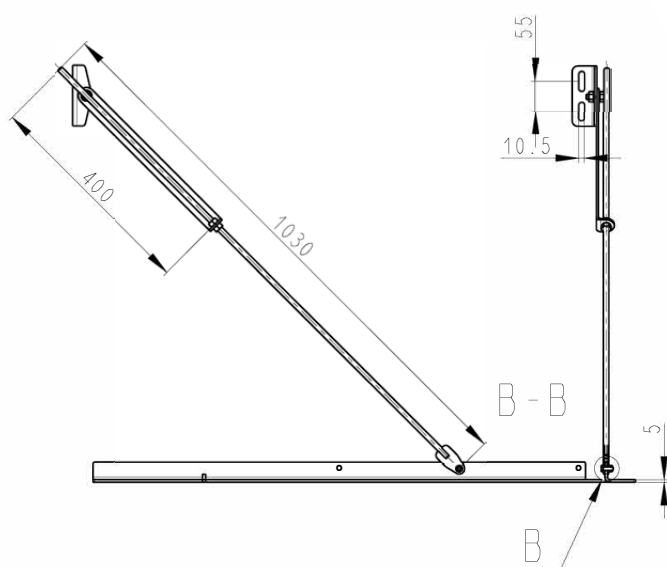
Brace, top (incl. frame and wire) (for 30052589)



A

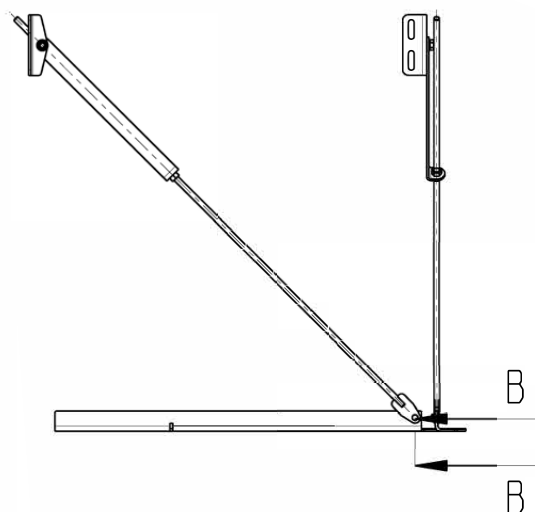


A



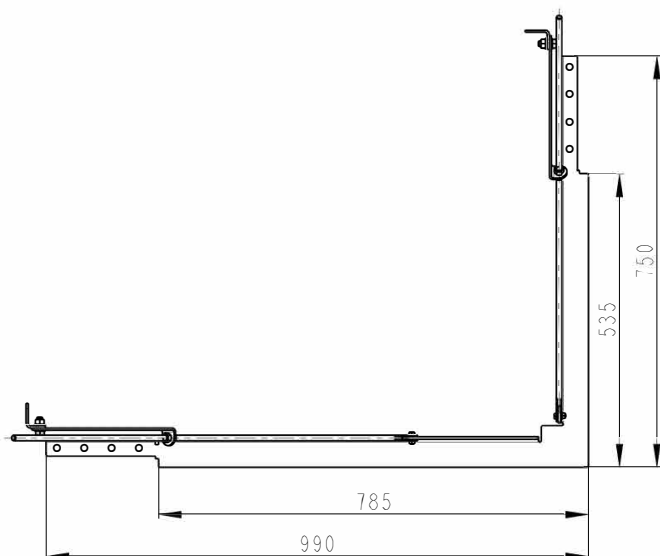
B - B

B



B

B



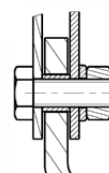
785

990

750

535

B



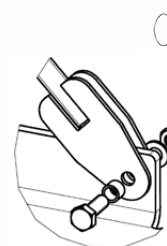
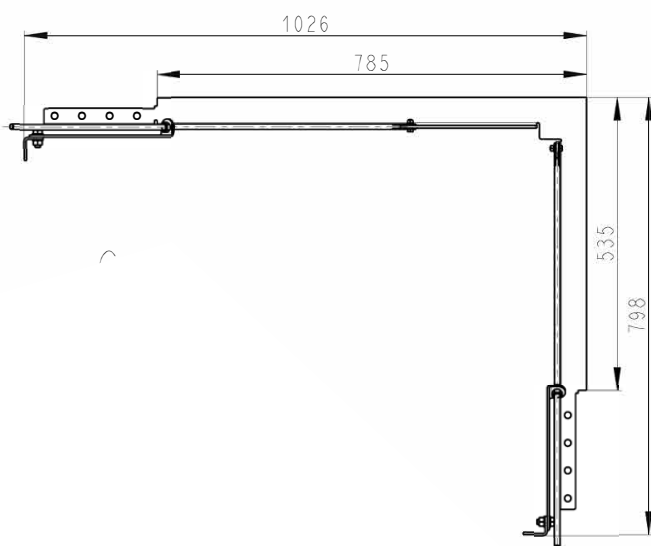
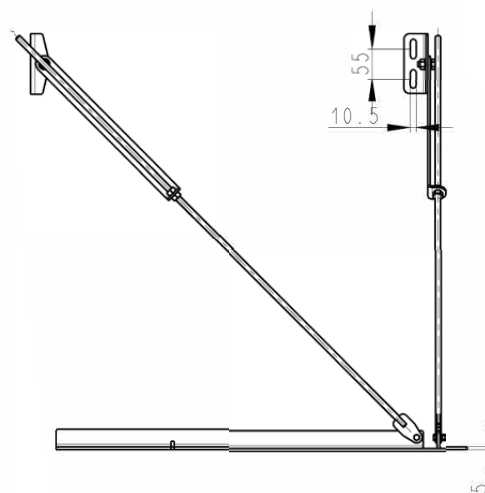
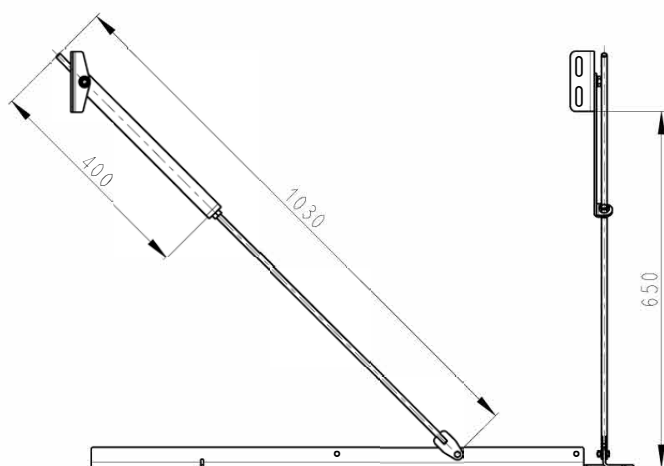
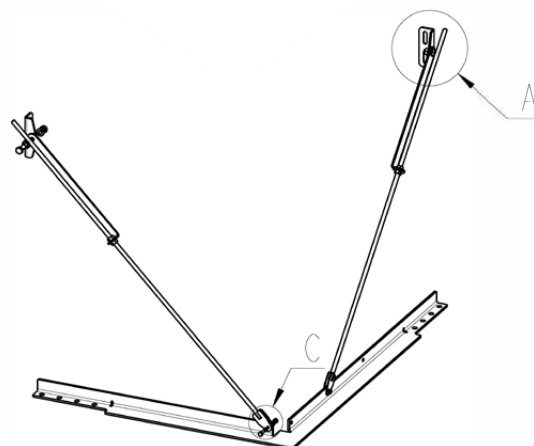
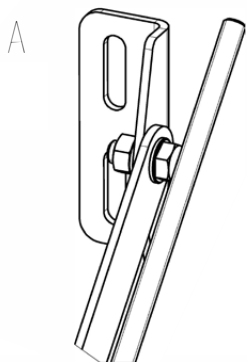
# SCAN 5004 FR/FL

## ACCESSORIES



50053086

Brace, top (incl. frame and wire) (for 30052590)



# SCAN 5004 FR/FL

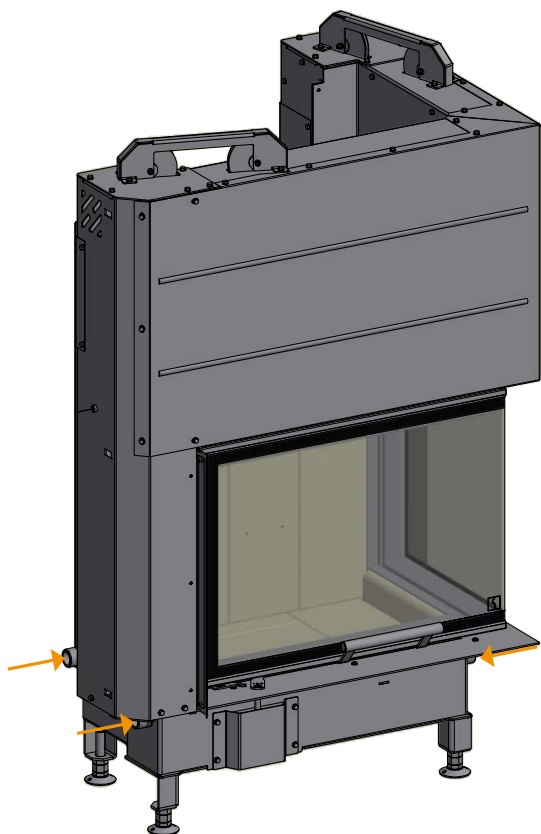
## ACCESSORIES



**50054935**

### **Handling kit**

Install the four tubes through the holes in order to lift the built-in stove.



# SCAN 5004 FR/FL

## ACCESSORIES

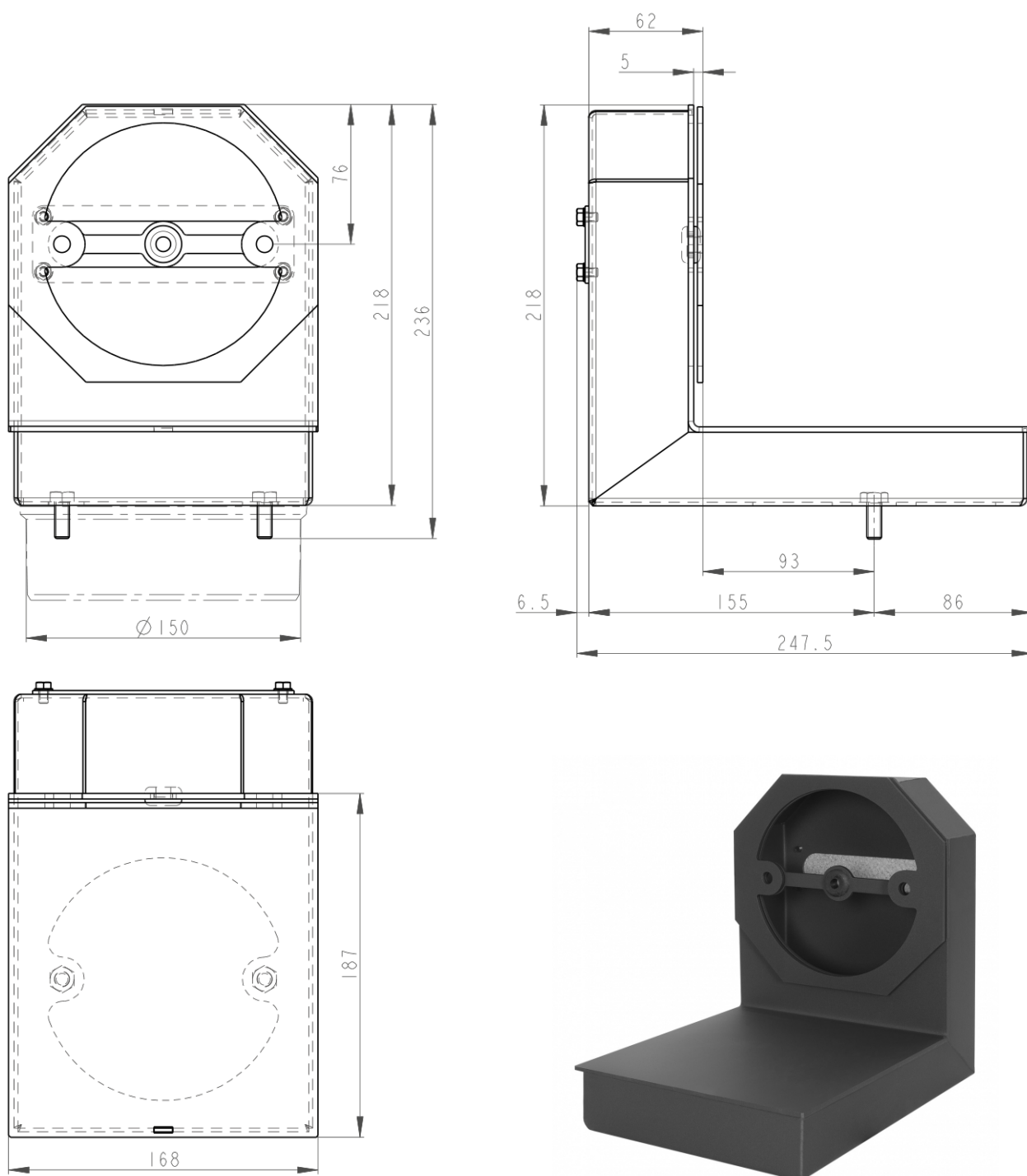


**50054151**

### Fresh air box for bottom

(outside  $\varnothing 145/150$  mm - inside  $\varnothing 135/130$  mm)

For this box, you need a connection pipe ( $\varnothing 150$  mm) which can be purchased in most D.I.Y.-stores.



# SCAN 5004 FR/FL

## ACCESSORIES

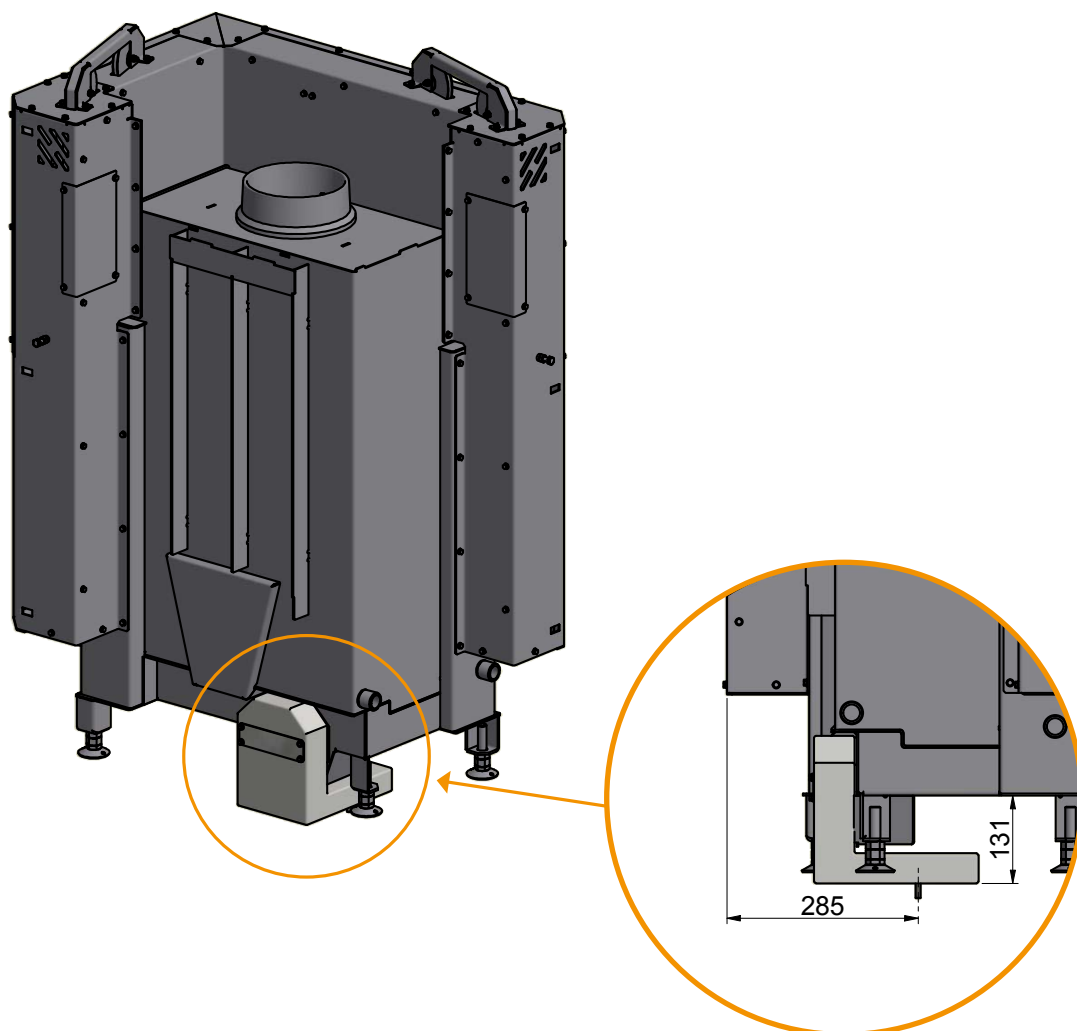


**50054151**

### **Fresh air box for bottom**

(outside Ø145/150 mm - inside Ø135/130 mm)

For this box, you need a connection pipe (Ø 150 mm) which can be purchased in most D.I.Y.-stores.





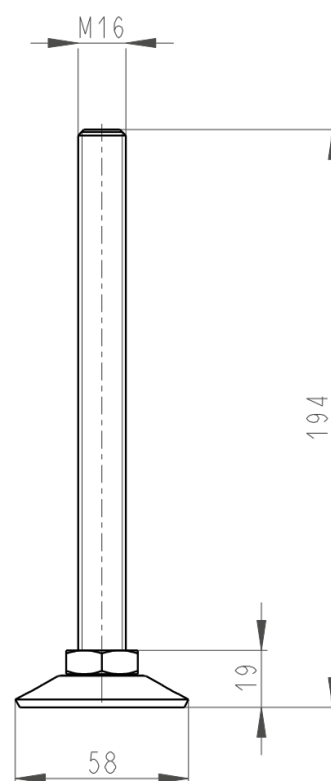
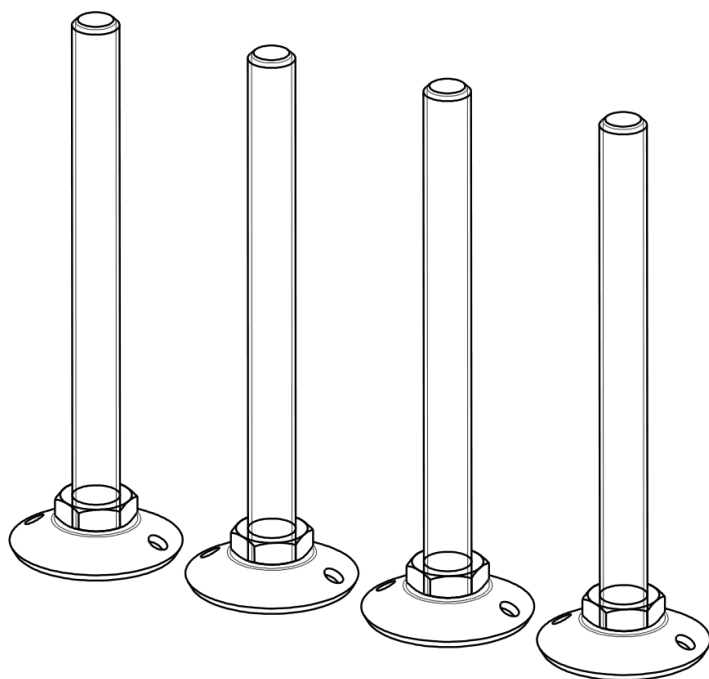
# SCAN 5004 FR/FL

## ACCESSORIES



**50059023**

**Adjustable legs, 190 mm**



# SCAN 5004 FR/FL

## ACCESSORIES



51052597

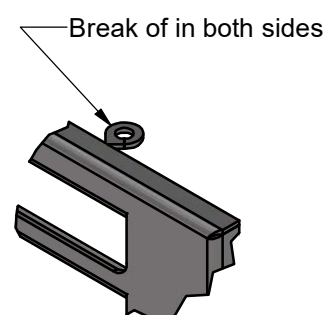
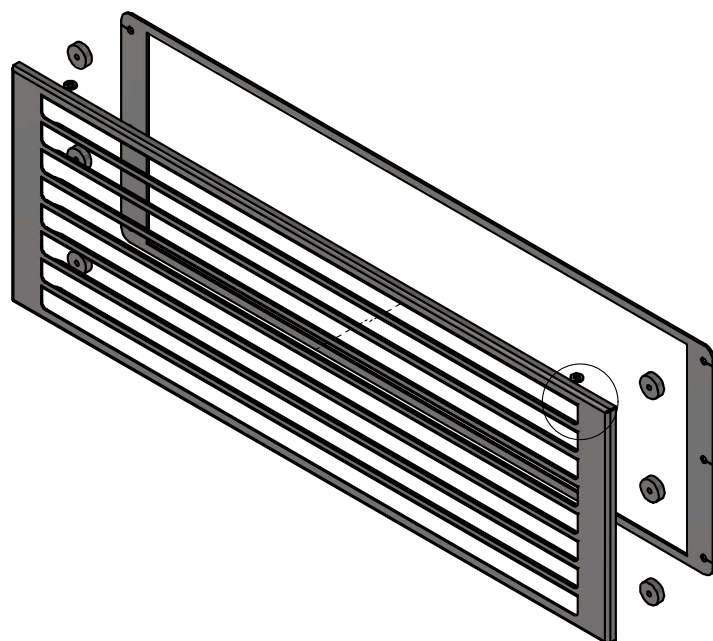
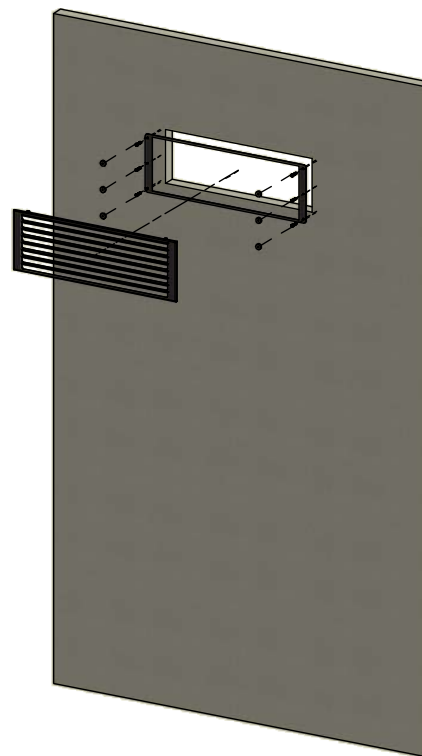
Convection air grids (2 pcs.)

1

Cut a hole in the wall according to the indicated measures

2

Fasten the metal frame with the six screws.  
Then mount the six magnets on the screws and place the convection grate on the magnets



Size of hole in wall

